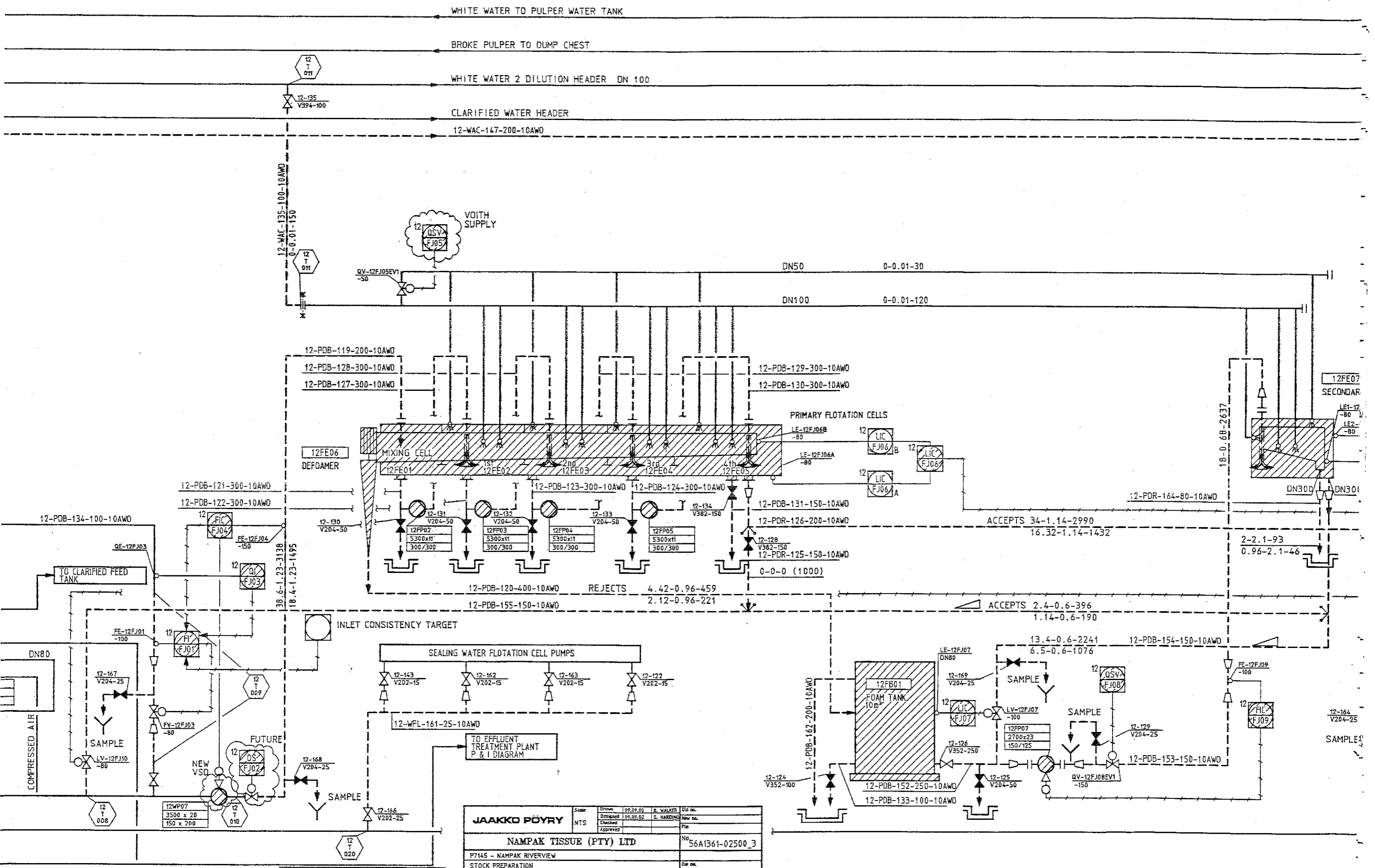


36.2-3.7 - 978

11KW SUPPLY TO PANEL

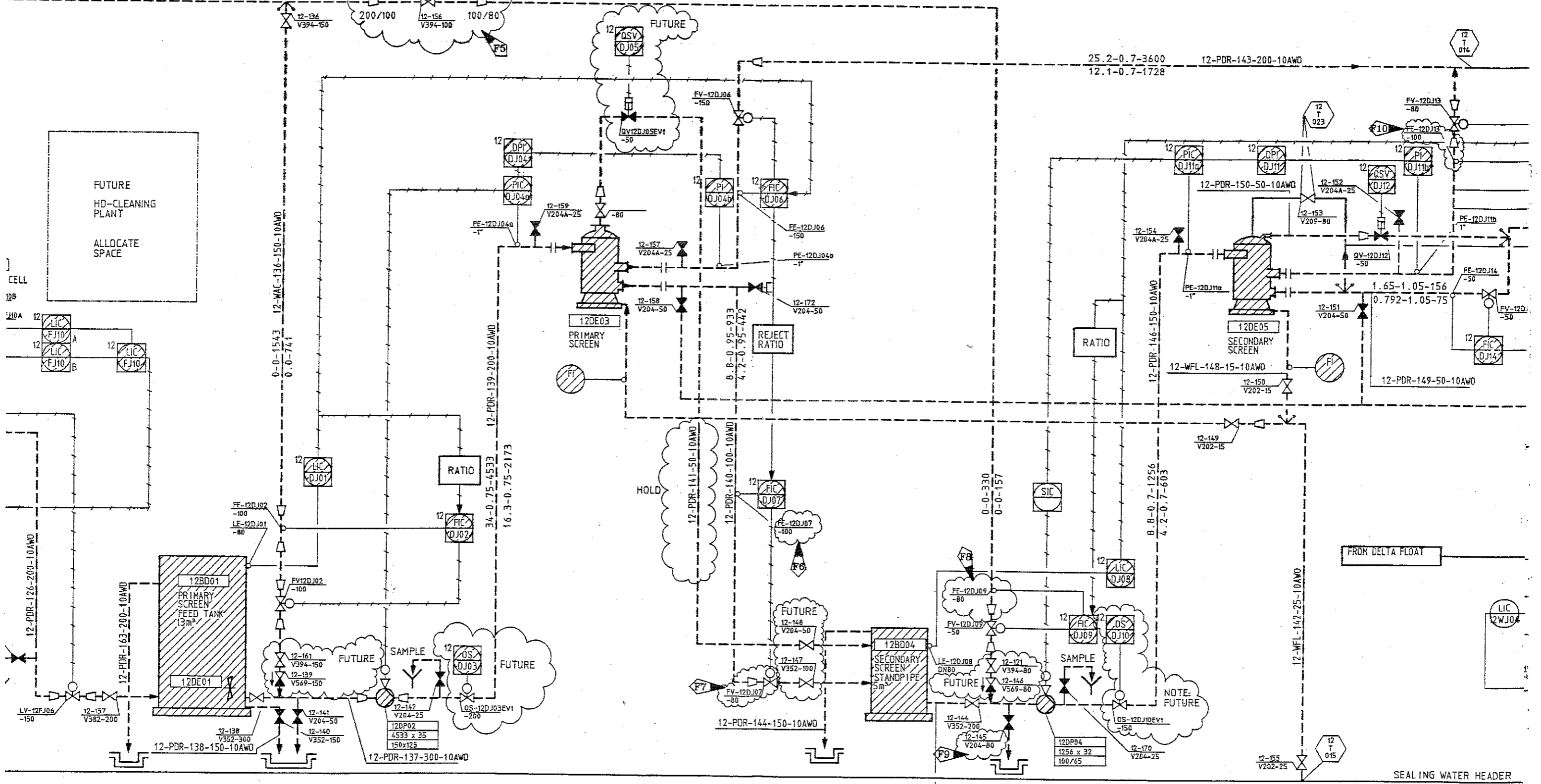
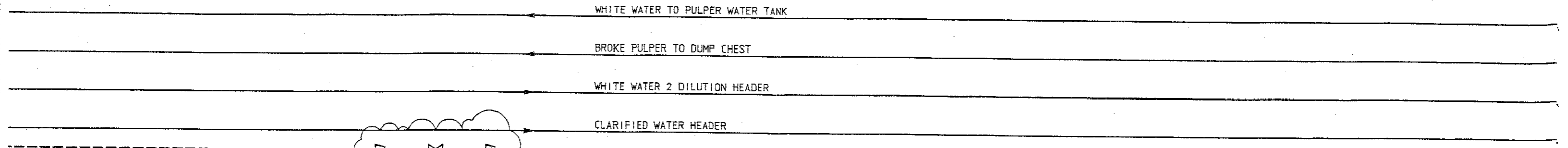
| | | | | | | |
|--------------------------------|--|-------|----------|---------------------|------------|----------|
| JAAKKO PÖYRY | | Scale | Drawn | 09.09.02 | E. WALKER | Doc. no. |
| | | NTS | Designed | 09.09.02 | E. HARDING | Rev. no. |
| | | | Checked | | | |
| | | | Approved | | | |
| NAMPAK TISSUE (PTY) LTD | | | | No. 56A1361-02500_4 | | |
| P7145 - NAMPAK RIVERVIEW | | | | Old no. | | |
| STOCK PREPARATION | | | | New no. | | |
| P & I DIAGRAM | | | | No. | | |
| STOCK FLOW FOR TISSUE MACHINE | | | | | | |

| | | | | |
|-------|-------|-------|-------|-------|
| SHEET | SHEET | SHEET | SHEET | SHEET |
| 2 | 3 | 4 | 5 | |



| | | | | | | | |
|--------------------------------|--|-------|-----------|----------|-----------------|-----|-----|
| JAAKKO PÖYRY | | Scale | Drawn | 19.09.02 | J. WALKER | DU | da. |
| | | NTS | Described | 09.09.02 | S. HARDING | New | da. |
| | | | Checked | | | | |
| | | | Approved | | | | |
| NAMPAK TISSUE (PTY) LTD | | | No | | 56A1361-02500_3 | | |
| P7145 - NAMPAK RIVERVIEW | | | | | DU | | |
| STOCK PREPARATION | | | | | New | | |
| P & I DIAGRAM | | | | | da. | | |
| STOCK FLOW FOR TISSUE MACHINE | | | | | NA. | | |

| | | | | | |
|------------|---------|---------|---------|---------|---------|
| EXIST PIPE | SHEET 1 | SHEET 2 | SHEET 3 | SHEET 4 | SHEET 5 |
|------------|---------|---------|---------|---------|---------|



FROM DELTA FLOAT

LIC 12WJ04

SEALING WATER HEADER

CELL

12LIC
12FJ10
12LIC
12FJ10
12LIC
12FJ10

12LIC
12DJ01

12LIC
12DJ02

12LIC
12DJ03

12LIC
12DJ04

12LIC
12DJ05

12LIC
12DJ06

12LIC
12DJ07

12LIC
12DJ08

12LIC
12DJ09

12LIC
12DJ10

12LIC
12DJ11

12LIC
12DJ12

12LIC
12DJ13

12LIC
12DJ14

12LIC
12DJ15

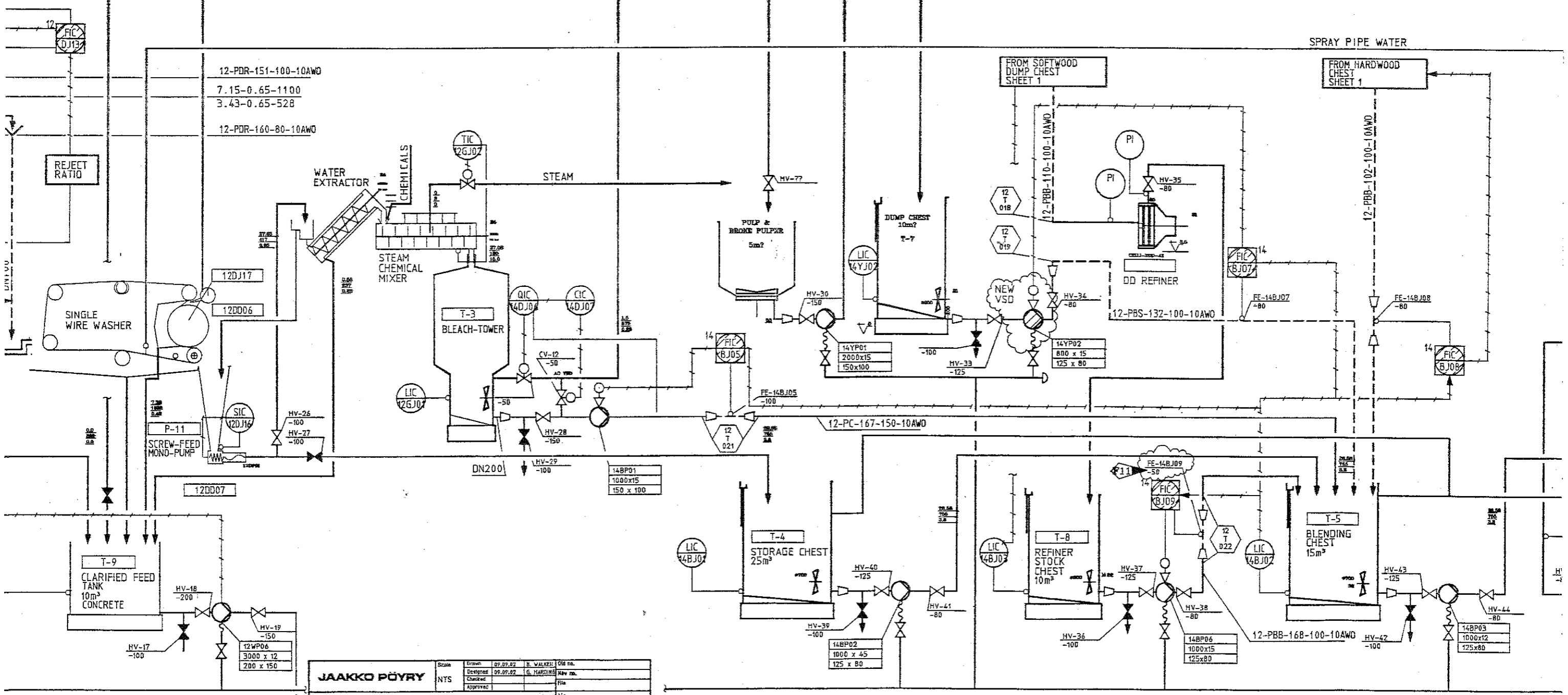
WHITE WATER 2 TO PULPER WATER TANK

WHITE WATER 2 DILUTION WATER

CLARIFIED WATER MAKE UP TO WHITE WATER 2

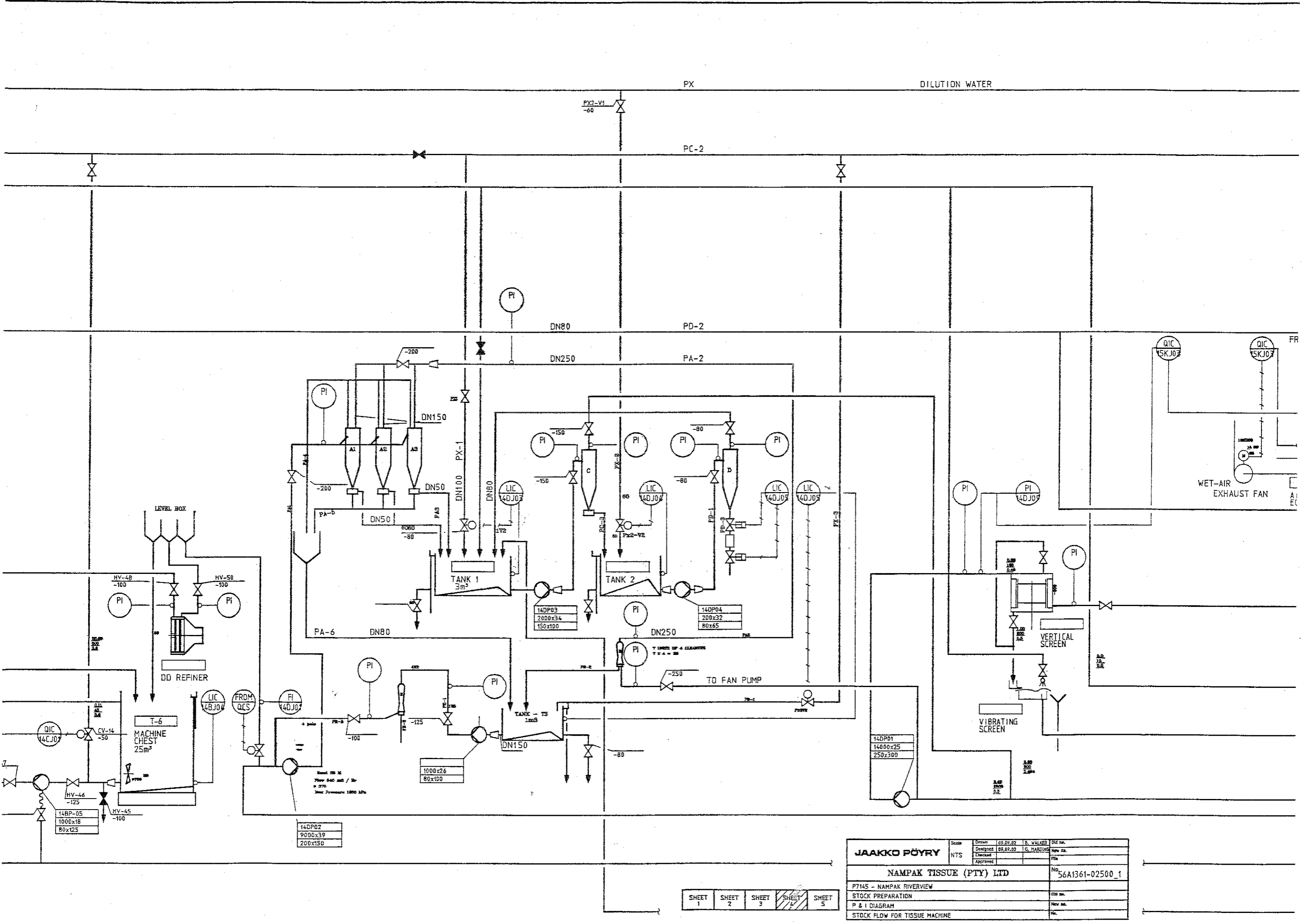
SPRAY PIPE WATER

2.35-0.7-4700
5.53-0.7-2256



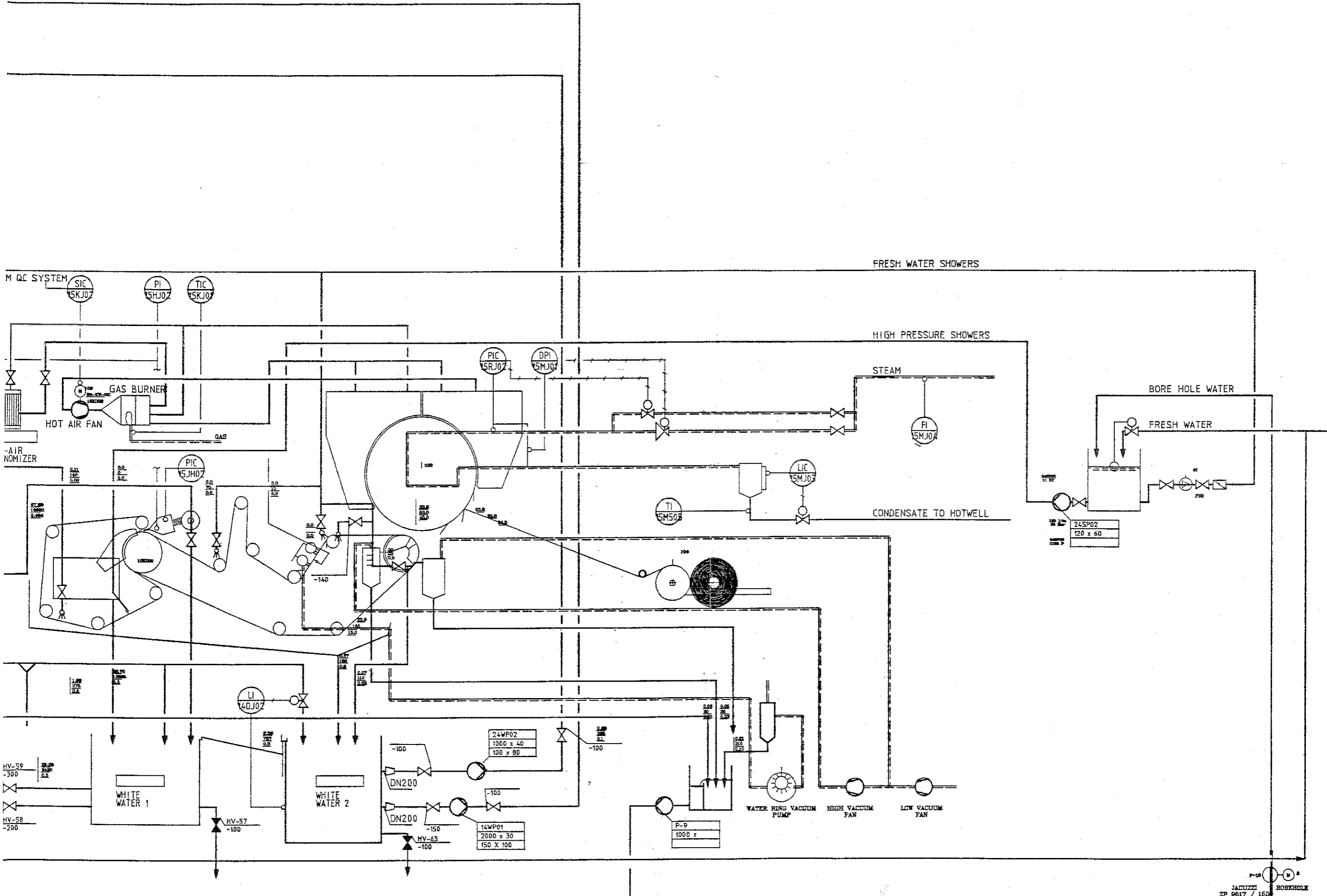
| | | | | | | |
|--------------------------------|--|-------|----------|----------|-------------|---------------------|
| JAAKKO PÖYRY | | Scale | Drawn | 07.07.02 | S. WALKER | Old no. |
| | | NTS | Designed | 07.07.02 | G. HÄRKÖNEN | New no. |
| | | | Checked | | | |
| | | | Approved | | | |
| NAMPAK TISSUE (PTY) LTD | | | | | | No. 56A1361-02500_2 |
| P7145 - NAMPAK RIVERVIEW | | | | | | Old no. |
| STOCK PREPARATION | | | | | | New no. |
| P & I DIAGRAM | | | | | | No. |
| STOCK FLOW FOR TISSUE MACHINE | | | | | | |

| | | | | |
|---------|---------|---------|---------|---------|
| SHEET 1 | SHEET 2 | SHEET 3 | SHEET 4 | SHEET 5 |
|---------|---------|---------|---------|---------|



SHEET 1 SHEET 2 SHEET 3 SHEET 4 SHEET 5

| | | | | | |
|--------------------------------|-------|----------|----------|-----------|--------------------|
| JAAKKO PÖYRY | Scale | Drawn | 09.07.02 | G. WALKER | Old No. |
| | NTS | Designed | 09.07.02 | G. WALKER | New No. |
| | | Checked | | | |
| | | Approved | | | |
| NAMPAK TISSUE (PTY) LTD | | | | | No 56A1361-02500_1 |
| P7145 - NAMPAK RIVERVIEW | | | | | Old No. |
| STOCK PREPARATION | | | | | New No. |
| P & I DIAGRAM | | | | | No. |
| STOCK FLOW FOR TISSUE MACHINE | | | | | |

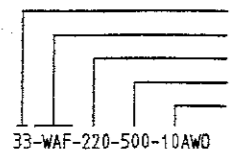


FILE

JACUZZI
 ZP 9617 / 160

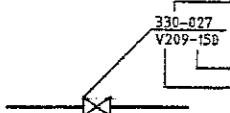
| Rev | No. | Date | Name | Approved | Revision |
|-----|----------|------|------|----------|---|
| 0 | 10.10.02 | BAW | | | PRELIMINARY |
| A | 06.11.02 | BAW | WP | | DIMENSIONED, DUMP CHESTS ADDED |
| B | 22.11.02 | BAW | WP | | INSTRUMENT NUMBERS ADDED, VALVE NUMBERS AND TYPES ALTERED |
| C | 27.10.02 | BAW | WP | | LINE, INSTRUMENT AND VALVE NUMBERS ADDED, GENERAL CHANGES |
| D | 22.01.03 | JKR | WP | | GENERAL REVISION |
| E | 31.01.03 | JKR | WP | | GENERAL REVISION |
| F | 13.02.02 | BAW | | | INSTRUMENT SIZES MODIFIED |

PIPELINES:



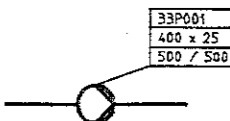
DEPARTMENT CODE
FLOW SUBSTANCE
CONSECUTIVE NUMBER
NOMINAL SIZE
PIPE CLASS

VALVES:



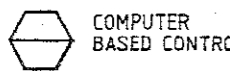
CONSECUTIVE NUMBER
NOMINAL VALVE SIZE DN
VALVE TYPE CODE

PUMPS:



POSITION NUMBER
CAPACITY l/m x HEAD m
DN1 / DN2

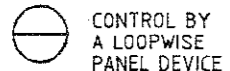
INSTRUMENTS:



COMPUTER
BASED CONTROL



DISPLAY OPERATED
FUNCTION IN
CONTROL SYSTEM



CONTROL BY
A LOOPWISE
PANEL DEVICE



INTERNAL FUNCTION
OF CONTROL SYSTEM



LOCAL PANEL
CONTROL

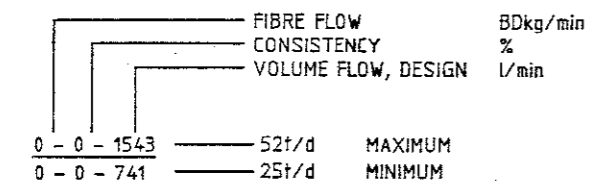


LOCAL
INDICATION
LOCAL
INDICATION

| Phase/Revision Index | 1/0 | | 2/A | | 2/B | | 2/C | | 2/D | | 2/E | | 2/F | |
|----------------------|------|----------|------|----------|------|----------|------|----------|------|----------|------|----------|------|---|
| | Date | | Date | | Date | | Date | | Date | | Date | | Date | |
| 10.10.02 | | 06.11.02 | | 26.11.02 | | 10.12.02 | | 22.01.03 | | 31.01.03 | | 13.02.03 | | |
| NAMPAK-RDE | 3 | B | 3 | B | 3 | B | 3 | B | 3 | B | 3 | B | 3 | B |
| EN - CR | | | 1 | B | 1 | B | 1 | B | 1 | B | 1 | B | 1 | B |
| JPSA (INTERNAL) | 1 | A | 1 | A | 1 | A | 1 | A | 1 | A | 1 | A | 1 | A |

GAH, SEN, WP, JHD, JMV, WJW, GDW, BJC, AEW, IGD

FLOW SPECIFICATION



LEGEND

- NEW LINES
- DEMOLITION LINES
- [Hatched Box] NEW EQUIPMENT
- [Cross-hatched Box] RELOCATE / MODIFIED
- [Vertical Line with Arrow] DELIVERY LIMIT
- [Hexagon with T] TIE IN

DIMENSIONED

PLOT DATE: 31.01.03 3600

| | | | |
|--------------------------------|---------------------------------|---------|-------------------|
| JAAKKO PÖYRY | | DWG no. | Rev. |
| | | New no. | File |
| Drawn: 07.01.03 R. WALKER | Designed: 08.02.02 G. HARDING | Scale: | No. 56A1361-02500 |
| Checked: 11.11.02 G. HARDING | Approved: 11.11.02 W. PEDDENORS | | F |
| NAMPAK TISSUE (PTY) LTD | | | |
| P7145 - NAMPAK RIVERVIEW | | DWG no. | |
| P & I DIAGRAM | | New no. | |
| STOCK FLOW FOR TISSUE MACHINE | | No. | 951-12-01-001 |

COPY