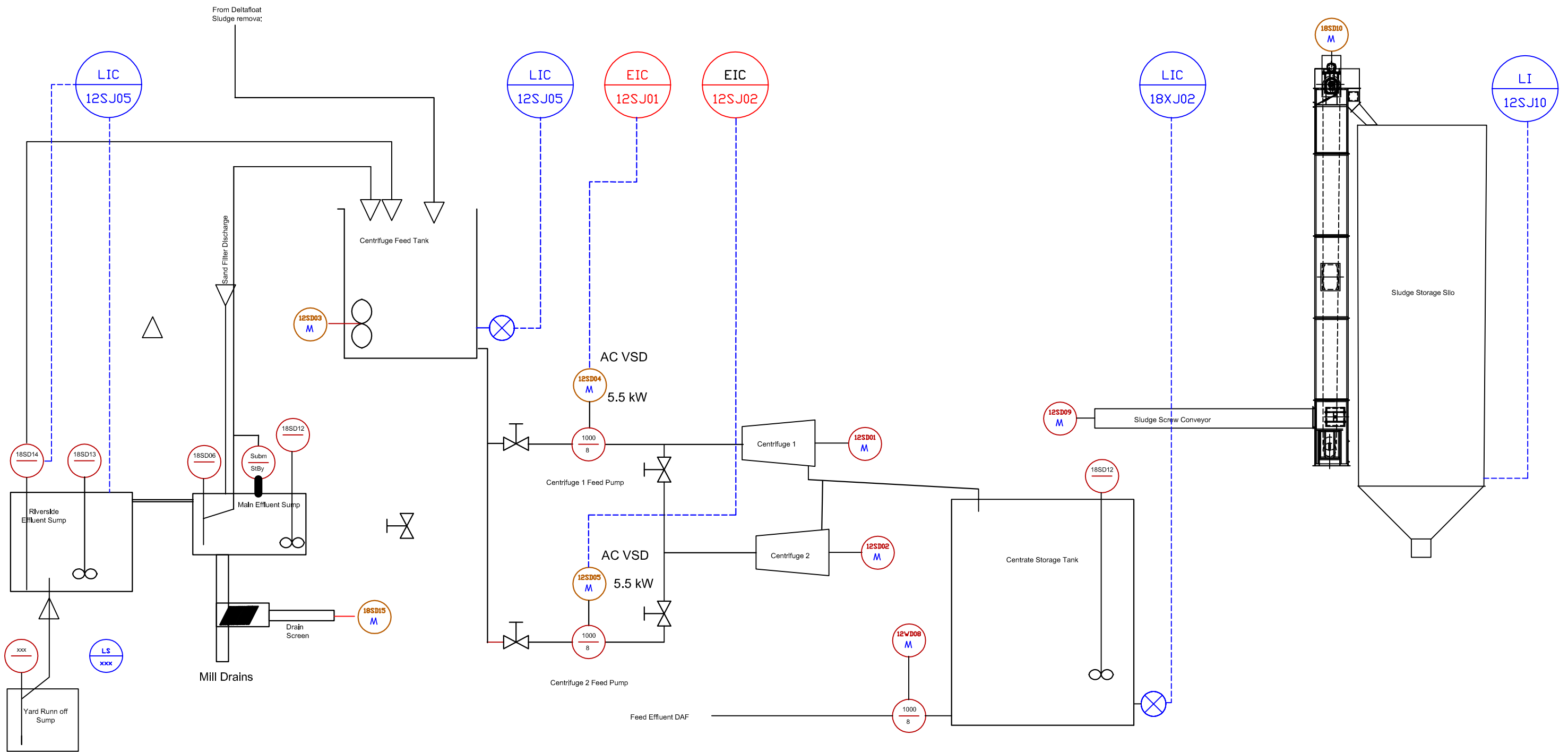


Legend

A  
B  
C  
D  
E  
F  
G  
H  
J  
K  
L  
M



Rev	Date.	Drawn By.	Description
A	09-10-2013	Myburgh	



Riverview PM 1  
16 Spring Place  
Riverview, KZN  
South Africa

Reception: (032) 533-1122  
Draw Off: (021) 959-5232  
Telefax : (032)  
Email:

Drawing Location and Description.  
**PM 1 Effluent**

Drawing Number.  
**12S 001**

Drawn By	Date	Scale	Pre-Check By	Authorised By
----------	------	-------	--------------	---------------

